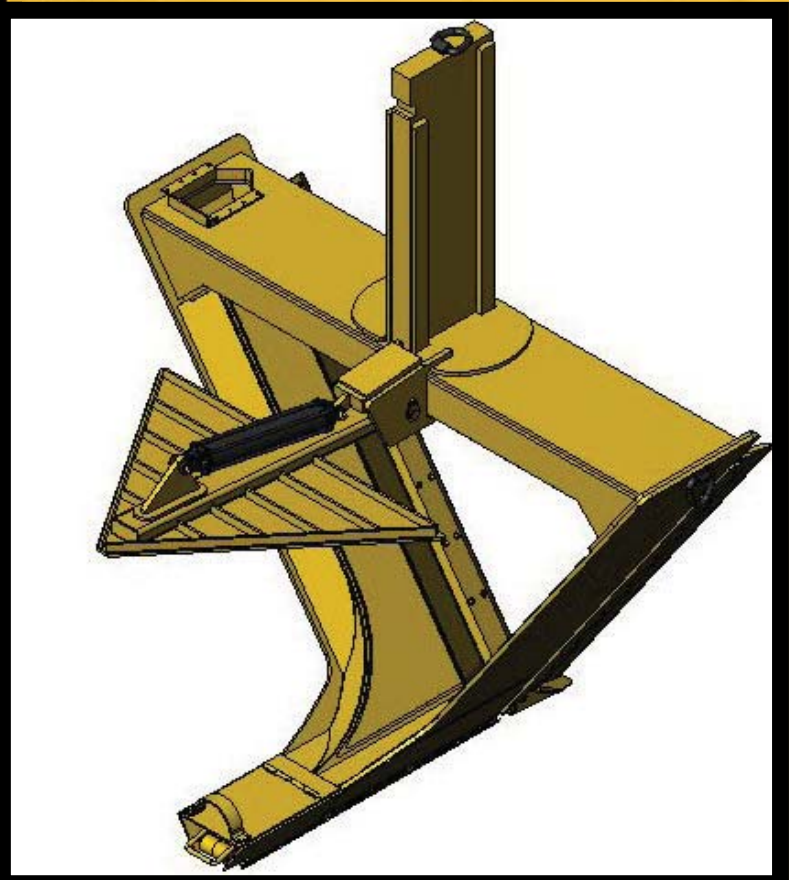
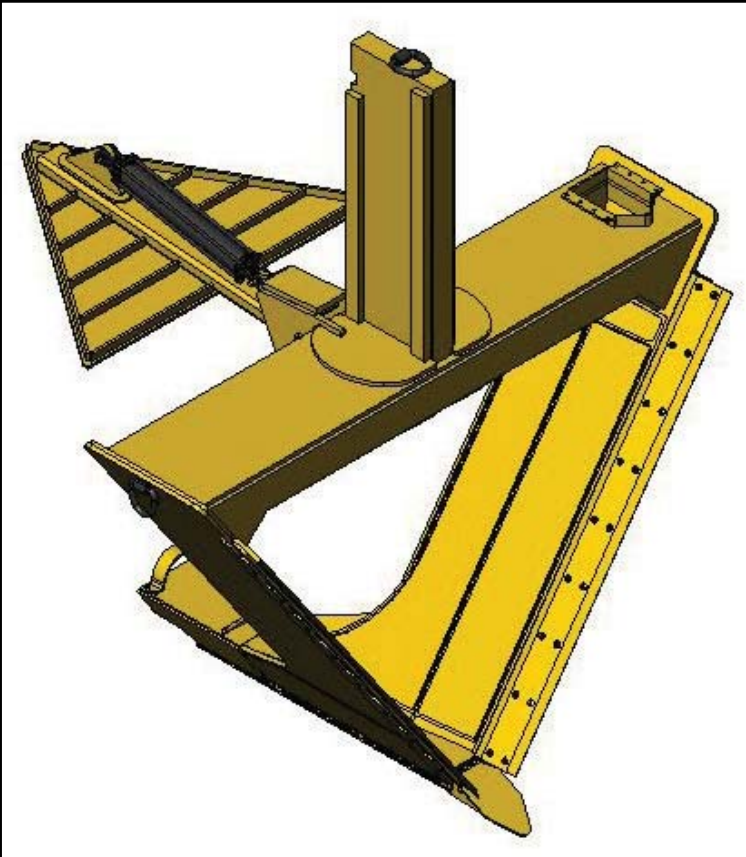


VPIow

HYDRAMAXX



OVERALL HEIGHT

11' 3"

OVERALL WIDTH

9' 8"

OVERALL LENGTH

6' 7"

APPROXIMATE WEIGHT

7000 LBS.

FITS

3" OR 4" TILE

PLOWING DEPTH

0' - 4' 6"

REPLACEABLE BLADES & TIP

HYDRAULIC CLEAN OUT

CAN BE ADAPTED TO FIT MOST SHANK HOLDERS



PORT INDUSTRIES

802 Industrial Dr. | Palmyra, MO 63461

Phone: (573)769-3338 | Fax: (573)769-4026

www.portindustries.com